

Wiring diagramm see sheet 2

Die Montageanleitung 7BC000000 wird elektronisch bereitgestellt.  
The assembly instruction 7BC000000 is provided in electronic format.

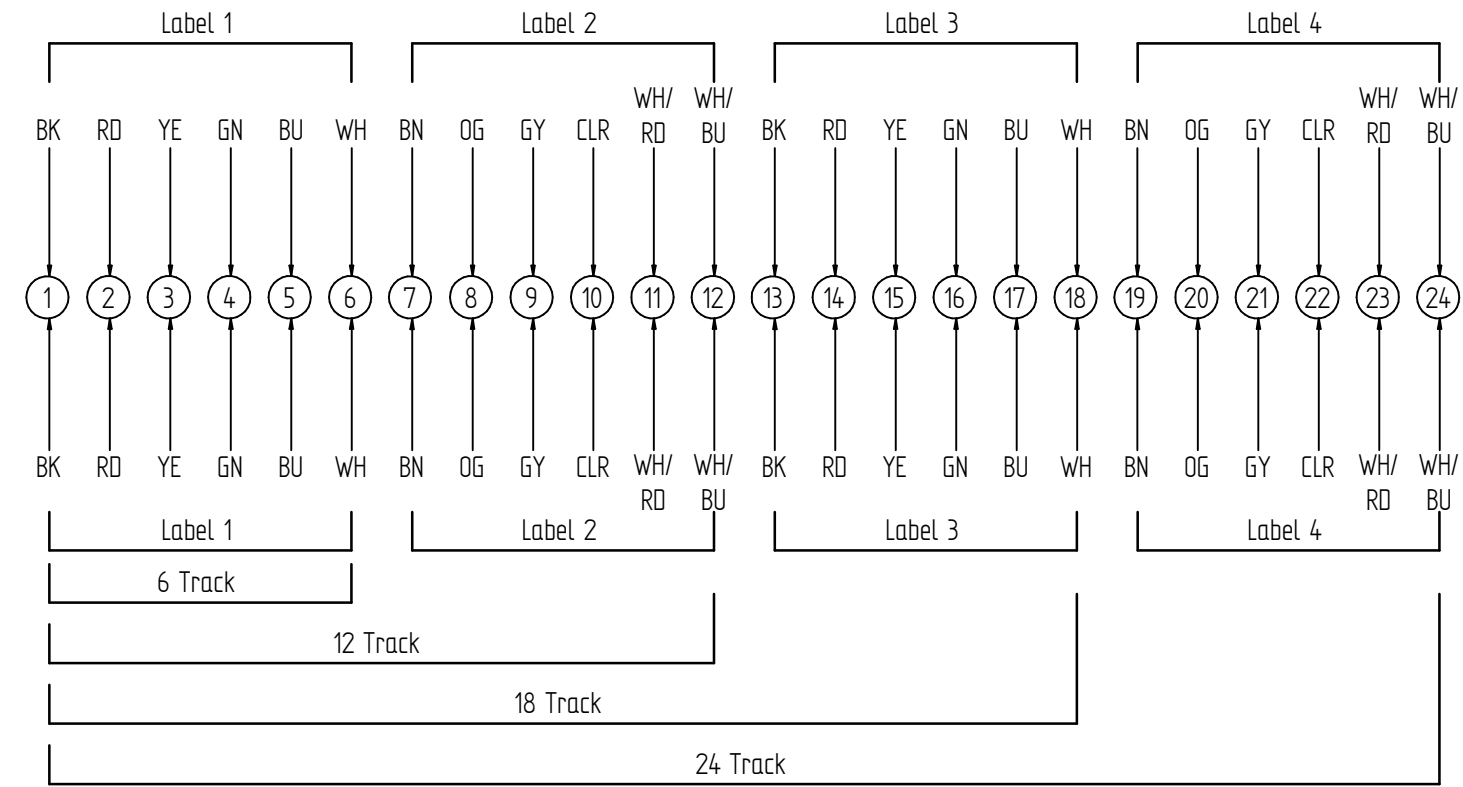
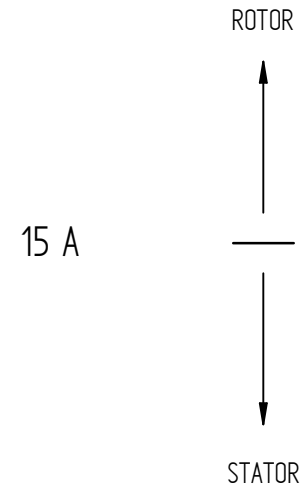
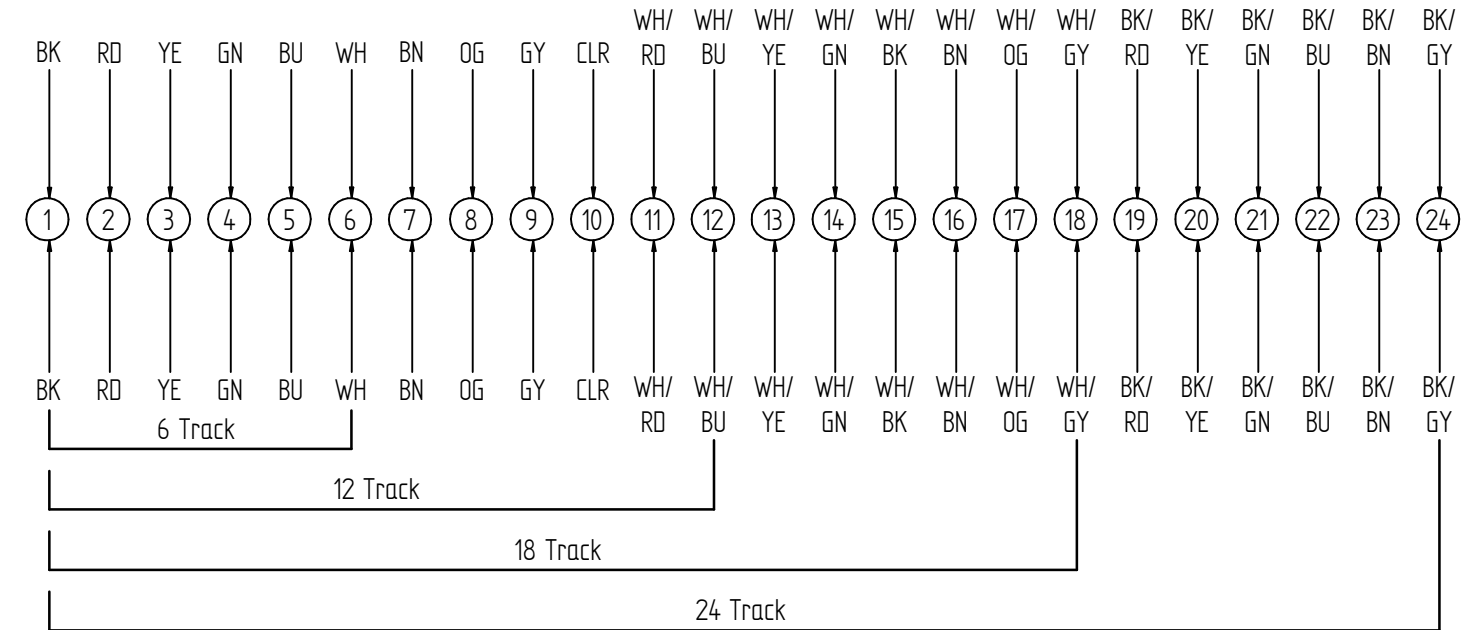
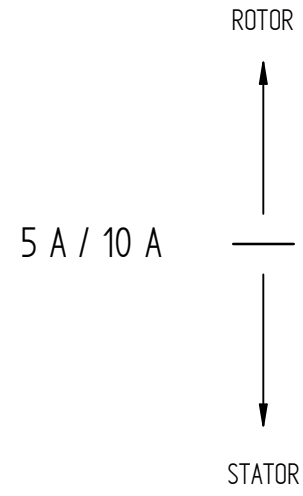
ELECTRONIC & ELECTRIC		MECHANICAL	
Rating Voltage	250 V AC / DC or 400 V AC	Working Speed	300 rpm max.
		Inner Diameter	Ø 38,1
		Contact Material	Precious Metals
Current	10 A	Lead Wire Length	STATOR: 250 mm ROTOR: 250 mm
Track	24	/	/
Insulation Resistance	500 MΩ @ 500 V DC	/	/
ENVIRONMENT		REMARKS	
Working Temperature	-20 °C to +60 °C	Application	see Manual
Working Humidity	≤ 60 % RH	Other	/
Protection Class	IP50	Note:	/

10	1	70C000034	Maverick Schleifring 24-Weg 10A		
Pos.	Anz.	Mat.Nr.	Kurztext	GroÙe/Abmessung	Werkstoff
1	2	3	4	5	6
DIN ISO 5456-2		TOLERANCES		DIN ISO 13715	
ISO 2768 - mH		+0,3 +0,1		-0,1 -0,3	
STANDARDS		DWG NO		REVISION	
ISO 8015 ISO 14405		7KC000034		A1	
		Beschreibung		FIRST RELEASE	
		Maverick Schleifring 24-Weg 10A		04.01.2022	
		Maverick Slip Ring 24-Track 10A		DESIGNER	
				CREITER	
				APPROVED	
				AGREPPMAYR	
				CHANGE NO	
				200120151	
				DOCUMENT TYPE	
				Kundenzeichnung	
				SHEET	
				1/2	
SCHLEIFRING			Draft: 1000954816/D02/000/03 Modell: 1000954816/D00/000/03 A2		

All drawings are the property of Schleifring GmbH/ Germany and are to be treated as confidential. The reproduction, distribution and utilization as well as the communication of its contents to others without express authorization is prohibited. Offenders will be held liable for the payment of damages. All rights reserved in the event of the grant of a patent, utility model or design.

All drawings are the property of Schleifring GmbH/ Germany and are to be treated as confidential. The reproduction, distribution and utilization as well as the communication of its contents to others without express authorization is prohibited. Offenders will be held liable for the payment of damages. All rights reserved in the event of the grant of a patent, utility model or design.

Cable Table	
Current	Cable
5 A / Signal	AWG17
10 A	
15 A	AWG14



DIN ISO 5456-2 	TOLERANCES ISO 2768 - mH	DIN ISO 13715 	FINISH	SCALE	REFERENCE 2
			MATERIAL	1:1	REFERENCE 1
STANDARDS ISO 8015 ISO 14405	DWG NO <b>7KLC000034</b>		REVISION <b>A1</b>	FIRST RELEASE	04.01.2022
	Beschreibung <b>Maverick Schleifring 24-Weg 10A</b>			CHANGE NO 200120151	
	DESCRIPTION <b>Maverick Slip Ring 24-Track 10A</b>			DOCUMENT TYPE Kundenzeichnung	
	SIZE/DIM.			SHEET 2/2	